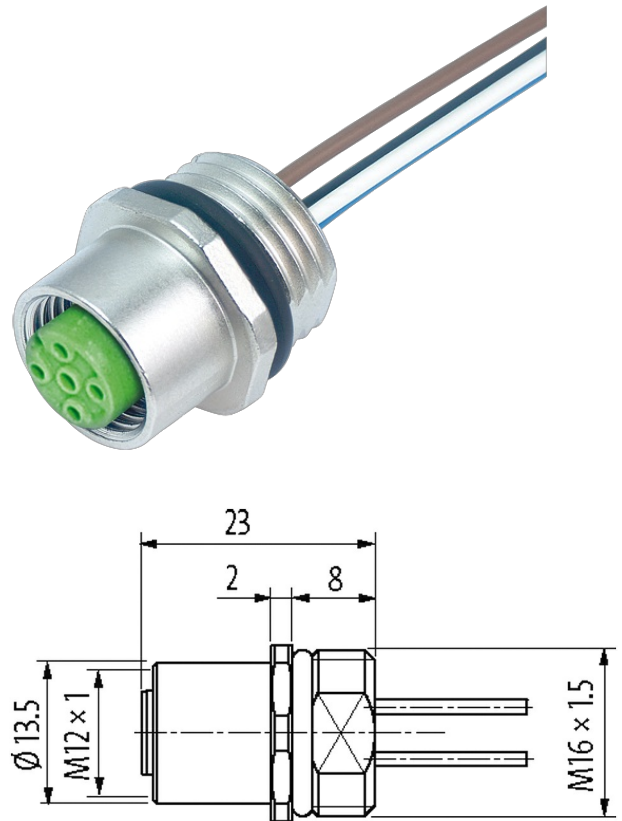


**M12 FEMALE FLANGE PLUG A CODED FRONT MOUNT**

PVC-wires 12x0,14 0.5m

Flange female  
M12, 12-pole  
Front mounting  
with multi-strand wire

[Link to Product](#)**Illustration**

Product may differ from Image

**Approvals****Form**

Form 19181

**General data**

Pollution Degree 3

Temperature range -25...+85 °C

**Cables**

Cable number 909

No./diameter of wires	12× 0.14 mm <sup>2</sup>
Construction (core)	1.0 mm ±5%
Wire isolation	PVC (br, bl, wh, gn, pk, ye, bk, gr, rd, vi, grpk, rdbl)
Outer Ø	1.0 mm ±5%
Bend radius (fixed)	5× outer Ø
Bend radius (moving)	10× outer Ø
Temperature range (fixed)	-30...+70 °C
Temperature range (mobile)	-5...+70 °C

#### Technical Data

Operating voltage	max. 30 V AC/DC
Rated surge voltage	0.8 kV
Operating current per contact	max. 1.5 A
No. of poles	12
Material group	IEC 60664-1, category I
Coding	A-coded
LED display	no
Locking of ports	Screw thread (M12×1 mm) recommended torque 0.6 Nm, self-securing
Compression gland	M12 (SW14)
Protection	IP67 inserted and tightened (EN 60529)
Protection NEMA	3, 4, 6P (UL 50E)
Locking material	Zinc die casting, matte nickel plated

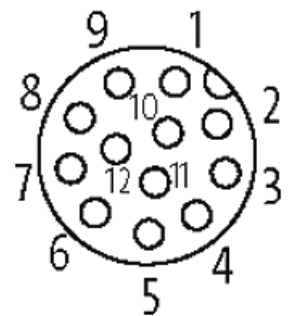
#### Commercial data

country of origin	DE
customs tariff number	85444290
EAN	4048879294966
eClass	27279220
Packaging unit	1

#### Sketch

1	brown
2	blue
3	white
4	green
5	pink
6	yellow
7	black
8	gray
9	red
10	violet
11	gray/pink
12	red/blue

## Female



Product may differ from Image